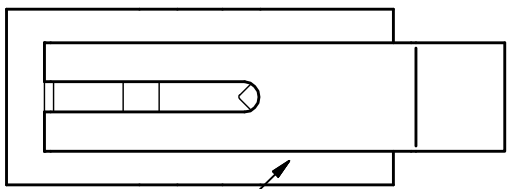
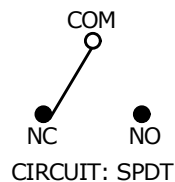
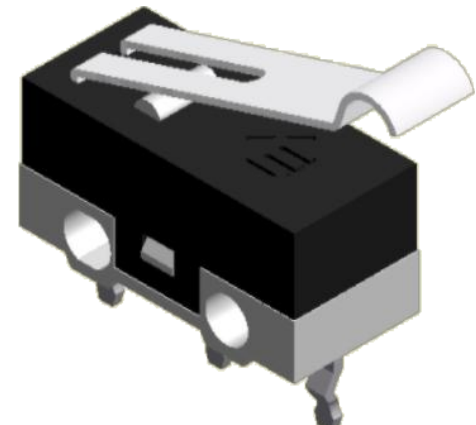


P.C. MOUNTING



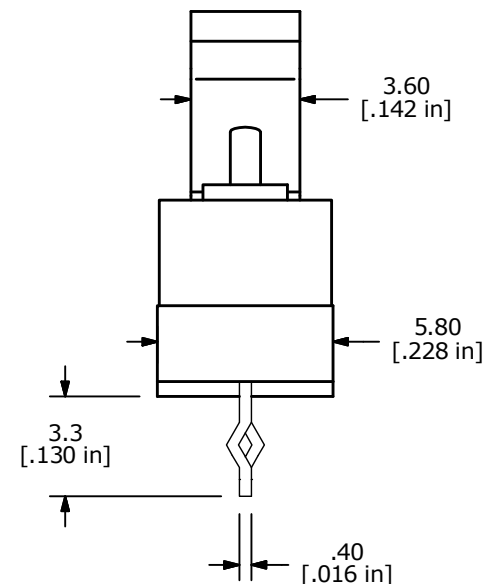
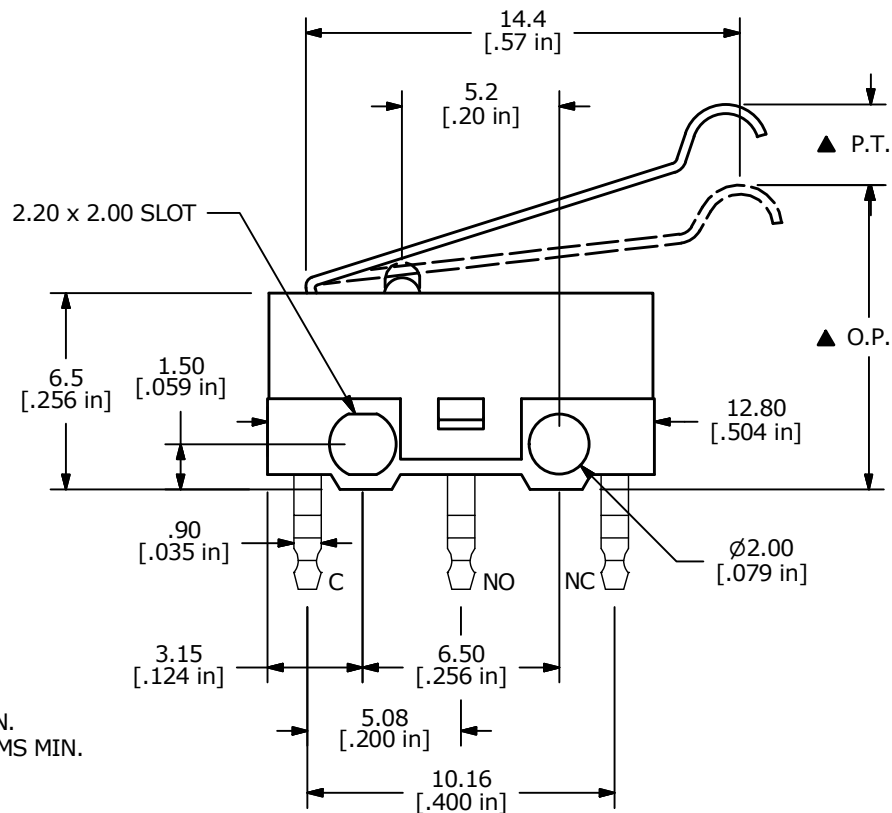
E-SWITCH LOGO LOCATION



CIRCUIT: SPDT

O.P. (MM)	P.T. (MM)
10.8 ± 0.8	2.0

O.P. = OPERATING POINT  
P.T. = PRE-TRAVEL



- NOTES:
- ALL DIMENSIONS IN MM [INCH]
  - GENERAL TOLERANCE: X.X = ± 0.4  
X.XX = ± 0.25
  - ▲ 3. RATING: 0.1A @ 5VDC
  - ▲ 4. OPERATING FORCE: 40 ± 20 GRAMS
  5. OPERATING TEMP: -25°C to 75°C
  6. ELECTRICAL LIFE: 10,000 CYCLES MIN.
  7. MECHANICAL LIFE: 1,000,000 CYCLES MIN.
  8. INSULATION RESISTANCE: 100 MEGA-OHMS MIN.
  9. DIELECTRIC STRENGTH: 500VDC
  - ▲ 10. ▲ DENOTES CRITICAL PARAMETER.
  11. PACKAGED IN TRAYS, 120 PIECES PER TRAY.
  12. 2011/65/EU (ROHS) COMPLIANT



TITLE SS075Q102F040R1A				
SCALE 4:1	DATE 4/6/2017	DR MW	DWG Q971041	REV A

A	22794	RELEASE FOR PRODUCTION	4/6/17	MW
REV	PCR NO	DESCRIPTION	DATE	BY

THE INFORMATION CONTAINED IN THIS DOCUMENT IS PROPRIETARY TO E-SWITCH AND IS NOT TO BE COPIED OR TRANSFERRED